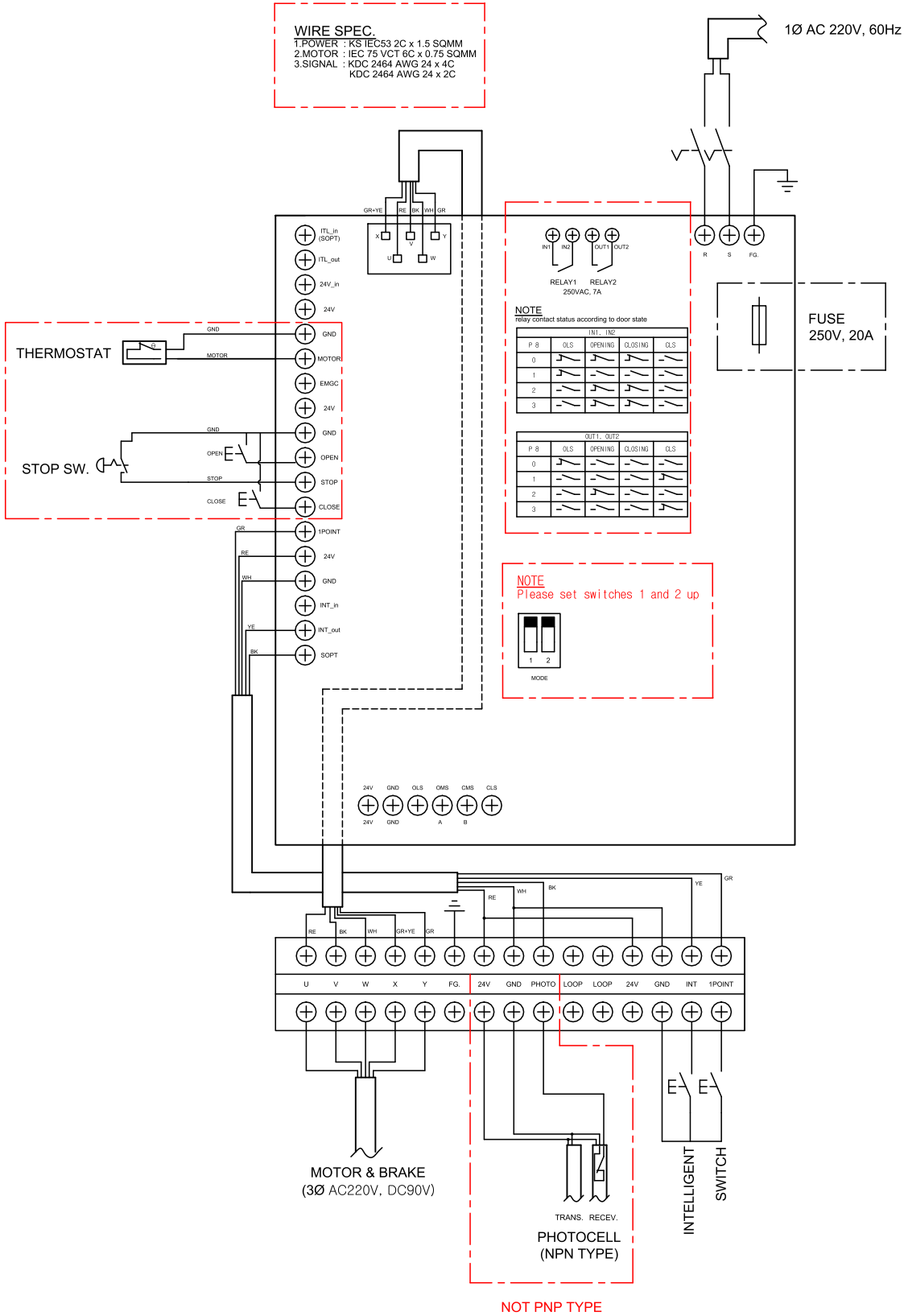


BAC-2200 Wiring

WIRE SPEC.

1. POWER : KS IEC53 2C x 1.5 SQMM
2. MOTOR : IEC 75 VCT 8C x 0.75 SQMM
3. SIGNAL : KDC 2464 AWG 24 x 4C
KDC 2464 AWG 24 x 2C



NOTE
relay contact status according to door state

P. B	IN1, IN2			
	OLS	OPENING	CLOSING	CLS
0				
1				
2				
3				

P. B	OUT1, OUT2			
	OLS	OPENING	CLOSING	CLS
0				
1				
2				
3				

NOTE
Please set switches 1 and 2 up



NO.	PART NAME	PART NO.	SIZE	PROJECT	DATE	UNIT	WEIGHT	FILE	WEIGHT	DESIGNER	CHECK	APPROVE	REMARKS
1	BAC-2200			BAC - 2200	2018.10.01	mm	1/1						BAC-2200 WIRING

※상기 도면을 당사에 협의 없이 불법복제 및 유통시에는 법적 책임이 있음을 알려드립니다.

BLUETEM

SHEET	1	OF	1
-------	---	----	---